



Bobcat[®]

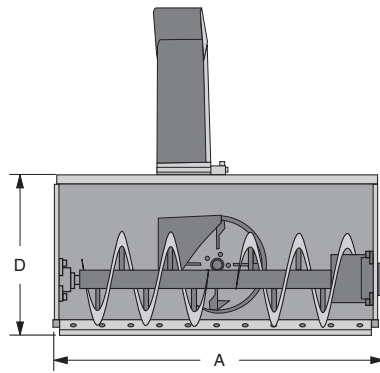
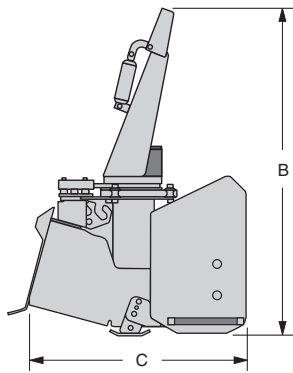
Snowblower Attachment



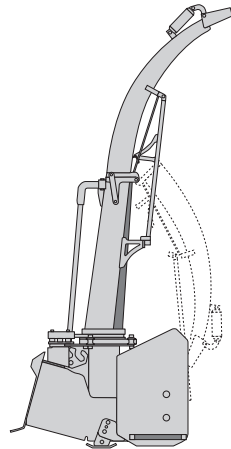
One Tough Animal[™]

Specifications

Model	SB150 x 36	SB150 x 48	SB200 x 54	SB200 x 60	SB200 x 66	SB200 x 72	SB200 x 78	SB240 x 72	SB240 x 84	SBX240 x 72	SBX240 x 84
A - Width	39.4 in. (1000 mm)	51.4 in. (1306 mm)	56.5 in. (1435 mm)	62.5 in. (1587 mm)	68.5 in. (1740 mm)	74.5 in. (1892 mm)	80.5 in. (2045 mm)	74.5 in. (1892 mm)	86.5 in. (2197 mm)	74.5 in. (1892 mm)	86.5 in. (2197 mm)
B - Height	50.4 in. (1280 mm)	50.4 in. (1280 mm)	61.0 in. (1549 mm)	61.0 in. (1549 mm)	61.0 in. (1549 mm)	61.0 in. (1549 mm)	61.0 in. (1549 mm)	65.5 in. (1664 mm)	65.5 in. (1664 mm)	65.4 in. (1662 mm)	65.4 in. (1662 mm)
C - Length	37.0 in. (940 mm)	37.0 in. (940 mm)	38.5 in. (977.9 mm)	38.5 in. (978 mm)	38.5 in. (978 mm)	38.5 in. (978 mm)	38.5 in. (978 mm)	43.3 in. (1099 mm)	43.3 in. (1099 mm)	44.4 in. (1128 mm)	44.4 in. (1128 mm)
D - Intake	23.0 in. (584 mm)	23.0 in. (584 mm)	25.0 in. (635 mm)	25.0 in. (635 mm)	25.0 in. (635 mm)	25.0 in. (635 mm)	25.0 in. (635 mm)	34.5 in. (876 mm)	34.5 in. (876 mm)	33.5 in. (851 mm)	33.5 in. (851 mm)
Operating Weight	428 lb. (194 kg)	465 lb. (211 kg)	751 lb. (340.6 kg)	785 lb. (356 kg)	810 lb. (367 kg)	835 lb. (379 kg)	860 lb. (390 kg)	1010 lb. (458 kg)	1070 lb. (485 kg)	1045 lb. (474 kg)	1105 lb. (501 kg)
Fan Diameter	15.0 in. (381 mm)	15.0 in. (381 mm)	20.0 in. (508 mm)	20.0 in. (508 mm)	20.0 in. (508 mm)	20.0 in. (508 mm)	20.0 in. (508 mm)	24.0 in. (610 mm)	24.0 in. (610 mm)	24.0 in. (610 mm)	24.0 in. (610 mm)
Auger Diameter	14.0 in. (356 mm)	14.0 in. (356 mm)	14.0 in. (356 mm)	14.0 in. (356 mm)	14.0 in. (356 mm)	14.0 in. (356 mm)	14.0 in. (356 mm)	18.0 in. (457 mm)	18.0 in. (457 mm)	18.5 in. (470 mm)	18.5 in. (470 mm)
Chute Rotation	276°	276°	270°	270°	270°	270°	270°	270°	270°	270°	270°
Deflector Control	Hydraulic	Hydraulic	Hydraulic	Hydraulic	Hydraulic	Hydraulic	Hydraulic	Hydraulic	Hydraulic	Hydraulic	Hydraulic
Throw Distance	Up to 25 ft. (7.6 m)	Up to 25 ft. (7.6 m)	Up to 40 ft. (12.2 m)	Up to 40 ft. (12.2 m)	Up to 40 ft. (12.2 m)	Up to 40 ft. (12.2 m)	Up to 40 ft. (12.2 m)	Up to 40 ft. (12.2 m)	Up to 40 ft. (12.2 m)	Up to 45 ft. (13.7 m)	Up to 45 ft. (13.7 m)
Cutting Edge	.375 x 3.0 in. (9 x 76 mm)	.375 x 3.0 in. (9 x 76 mm)	.5 x 4.0 in. (13 x 102 mm)	.5 x 4.0 in. (13 x 102 mm)	.5 x 4.0 in. (13 x 102 mm)	.5 x 4.0 in. (13 x 102 mm)	.5 x 4.0 in. (13 x 102 mm)	.5 x 4.0 in. (13 x 102 mm)	.5 x 4.0 in. (13 x 102 mm)	.5 x 4.0 in. (13 x 102 mm)	.5 x 4.0 in. (13 x 102 mm)



Snowblower with Truck Loading Chute



Snowblower and truck loading chute have a combined height of 135 inches. Chute folds to 87 inches for storage and transport.

Bobcat snowblowers blow the others away!

Keep your Bobcat loader busy this winter...cleaning sidewalks, driveways and parking lots with a Bobcat hydraulic-drive rotary snowblower!

Using direct-drive hydraulic motors for the fan and auger, Bobcat snowblowers eliminate the need for high-wear items such as gearboxes, chains, sprockets and shear pins.

Chute rotation is achieved by a chain and sprocket system, eliminating loose, tangled and frozen cables.

The fan opening is adjustable, allowing the operator to control the amount of air and snow entering the efficient 6-inch deep fan.

- Special discharge-chute design helps prevent plugging
- Replaceable bolt-on cutting edges

NOTE - Where applicable, dimensions are in accordance with Society of Automotive Engineers (SAE) and ISO standards. Specifications and design are subject to change without notice. Pictures of Bobcat units may show other than standard equipment. All dimensions are given for loader equipped with standard tires. All dimensions are shown in inches. Respective metric dimensions are enclosed by parentheses. Bobcat Company complies with the requirements of ISO 9001 as registered with BSI.

The Bobcat Attachments Advantage: Bobcat attachments are engineered and manufactured to fit Bobcat loaders for optimum job performance, dependability and durability.

Bobcat Snowblower Attachments fit these carrier models:

Mini Track Loaders:
MT52
MT55

Skid-Steer Loaders:
S70

S100
S130
S150
S160
S175
S185
S205
S220
S250
S300
S330

Compact Track Loaders:

T140
T180
T190
T250
T300
T320

All-Wheel Steer Loaders:
A300

Utility Work Machine:
5600
5600T

Telescopic Tool Carriers:
V417