

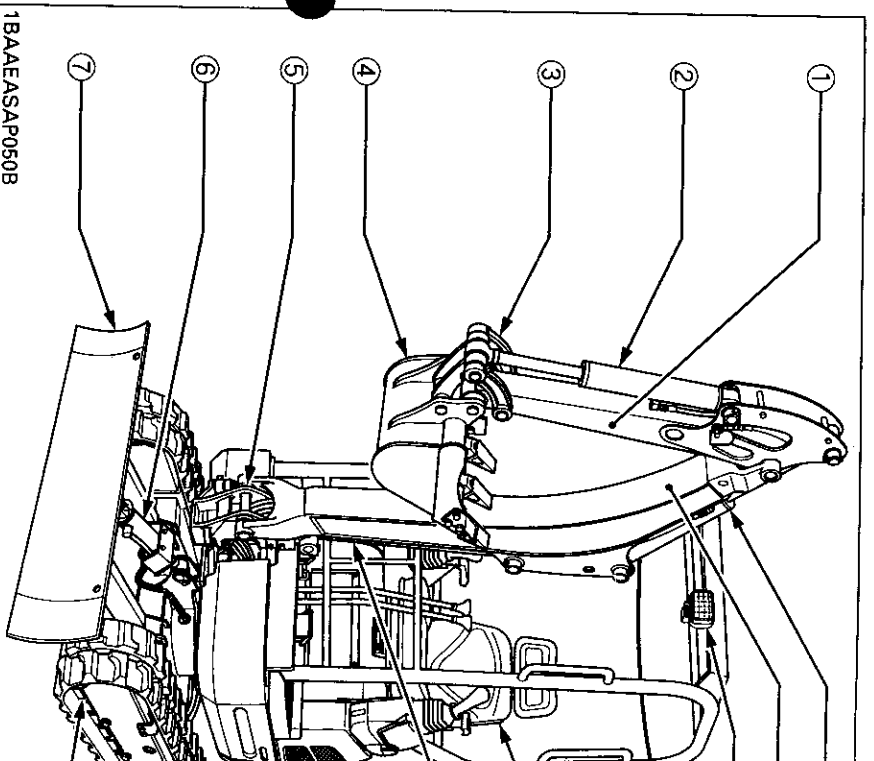
TECHNICAL DATA

Model name		KUBOTA EXCAVATOR	
Type		U15 (-3) Canopy	
Operating weight (Including operator's)		lbs. (kg) 3704 (1680)	
Engine		Water cooled 4 cycle diesel engine with 3 cylinder	
Type		KUBOTA D782	
Total displacement cc (cu.in)		778 (47.5)	
Engine power SAE gross		Hp(kw) 12.9 (9.6)	
Rated speed		rpm 2300	
Unit swing speed		rpm 8.7	
Travel speed		Fast mph (km/h) 1.4 (2.2)	
Slow		mph (km/h) 2.6 (4.0)	
Ground pressure (With operator)		psi (kPa) 3.7 (25.5)	
Climbing angle		[kgf/cm ²] [0.26]	
Dozer		27 (15)	
Width X Height		in. (mm) 39.0/48.8 X 10.2 (990/1240 X 260)	
Boom swing angle		Left deg (rad) 65 (1.13)	
Right		deg (rad) 60 (1.04)	
Pressure connection for attachments		Max. displacement (Theoretical) US gal (L)/min 7.13 (27)	
Fuel tank capacity		Max. pressure psi (MPa) 3129 (21.6)	
		[kgf/cm ²] [220]	
		US gal (L) 4.8 (18)	

NOTE:

- Above dimensions are based on the machine with rubber trucks and JPN bucket.
- JPN = made in Japan
- Specifications subject to change without notice.
- * With unloaded digging bucket.
- * Firm mounted soil

DESCRIPTION OF MACHINE



1BAAEASAP0608

DEPICTED CONTENTS

- (1) Arm
- (2) Bucket cylinder
- (3) Bucket link
- (4) Bucket
- (5) Swing bracket
- (6) Dozer cylinder
- (7) Dozer
- (8) Arm cylinder
- (9) Boom
- (10) Canopy (Rops / Fops)
- (11) Operator's seat