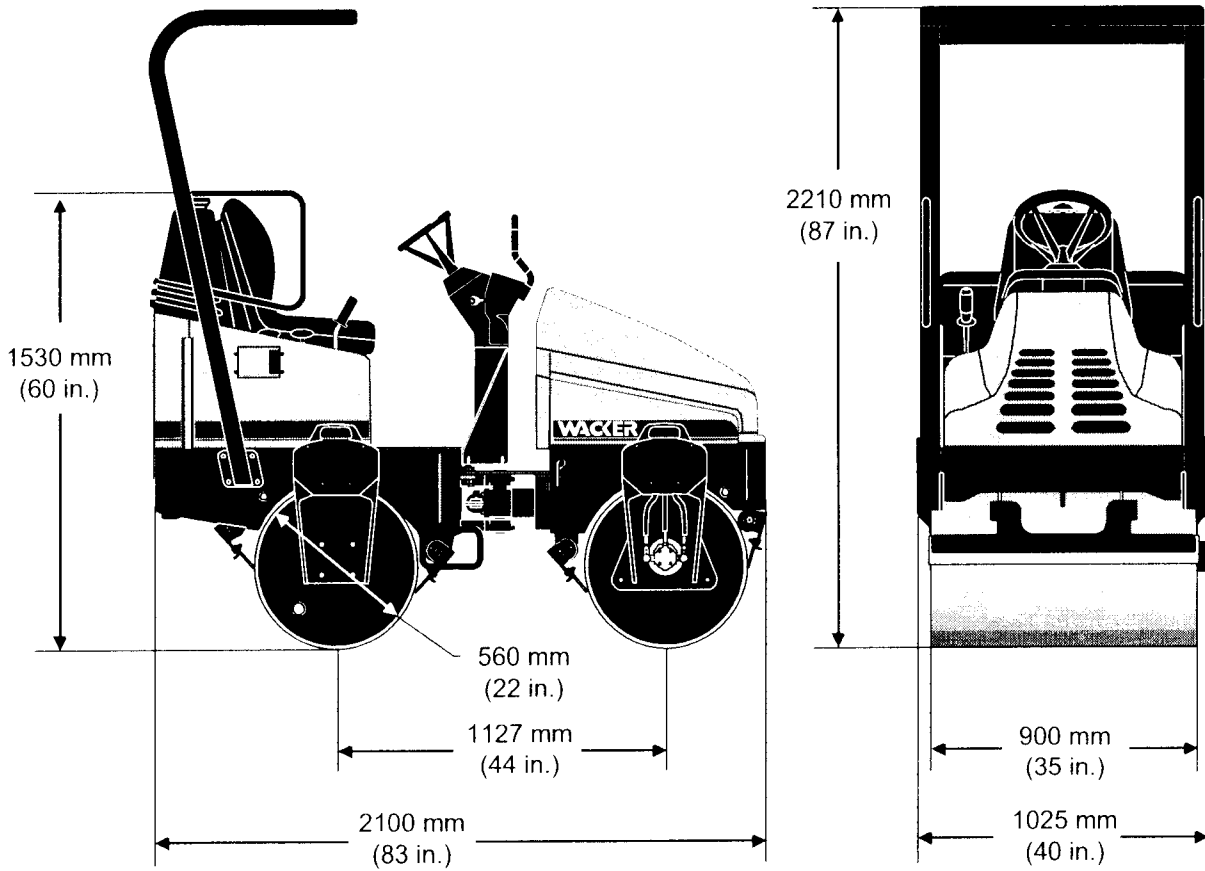


3.4 Dimensions



wc\_gr000213

## 3. Technical Data

## 3.1 Engine

Item No.		RD 11A 0007693	RD 11AEC 0007695	RD 11V 0007694
<b>Engine</b>				
Engine Type		4-stroke, 2 cylinder, air cooled		
Engine Make		Honda	Honda	Briggs & Stratton
Engine Model		GX 610 QDF		Vanguard 350447
Rated Power	kW (Hp)	13.4 (18)		
Displacement	cm <sup>3</sup> (in <sup>3</sup> )	614 (37.5)		570 (34.7)
Spark Plug		(NGK) BPR6ES / (NGK) BPR6ES High Heat		Champion RC12YC
Electrode Gap	mm (in)	0.71–0.79 (0.028–0.031)		0.76 (0.030)
Engine Speed—full load	rpm	3200		
Engine Speed—idle	rpm	1800		
Valve Clearance (cold)				
intake:	mm (in.)	0.10–0.16 (0.004–0.006)		
exhaust:		0.10–0.16 (0.004–0.006)		
Battery	V	12 VDC		
Air Cleaner	type	Dual Element		
Fuel	type	Regular Unleaded Gasoline		
Fuel Tank Capacity	l (gal.)	24 (6.3)		
Fuel Consumption	l (gal.)/hr.	4.6 (1.2)		

# Technical Data

RD 11 /...

## 3.2 Roller

Item No.	RD 11A 0007693	RD 11AEC 0007695	RD 11V 0007694
<b>Roller</b>			
Dry Weight	925 (2040)	1067 (2353)	925 (2040)
Curb Clearance:			
Right	470 (18.4)	390 (15.4)	470 (18.4)
Left	205 (8.1)	210 (8.7)	205 (8.1)
Water Tank Capacity	151 (40)		
Outside Turning Radius	2.8 (9.2)		
Forward / Reverse Speed	0-126 (0-414)		
Gradeability	27% (12°)		
Vibration Frequency	65 (3900)		